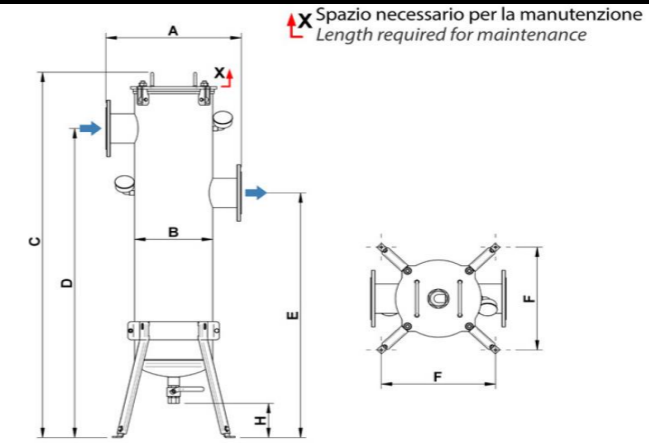


BASKET Manual Filters



Filter Model	Filter Short Name	In/Out	Area [cm ²]	Qmax*[m ³ /h]	AISI 304 [Code]	AISI 316 [Code]	Dimensions [mm]								Weight [Kg]
							A	B	C min/max	D min/max	E min/max	H min/max	F	X	
BASKET	BK Z 2"/20	2"	2200	40	FSCSZZ0000005	FSCSZZ0000008	366	206	830/940	650/850	500/700	110/310	350	700	27
BASKET	BK Z 80/20	80	2200	80	FSCSZZ0000006	FSCSZZ0000009	406	206	830/940	650/850	500/700	110/310	350	700	32
BASKET	BK Z 80/35	80	3300	80	FSCSZZ0000004	FSCSZZ0000010	473	273	1220/1350	920/990	670/740	120/190	400	700	44
BASKET	BK Z 100/35	100	3300	140	FSCSZZ0000002	FSCSZZ0000011	473	273	1220/1350	920/990	670/740	120/190	400	700	45
BASKET	BK Z 100/40P	100	5400	150	FSCSZZ0000007	FSCSZZ0000012	473	273	1430/1500	1200/1270	950/1020	120/190	400	1000	57
BASKET	BK Z 150/40P	150	5400	300	FSCSZZ0000015	FSCSZZ0000017	473	273	1430/1500	1200/1270	950/1020	120/190	400	1000	59
BASKET	BK Z 200/40P	200	5400	400	FSCSZZ0000016	FSCSZZ0000018	473	273	1500/1580	1250/1330	950/1030	120/200	390	1000	73

Flow rates are referred to filters with filtrating mesh 120 µm and water with temperature of 20 °C and NTU < 1.

INCLUDED ELEMENTS

Filtering Elements

AISI 316 Basket

Filtration degrees available:

Standard Filtering Screen: 110 - 200 - 400 µm

Microperforated Metal Sheet: 1000 - 2000 - 3000 - 3000 - 5000 µm



Note: for the complete list of components/optionals please refer to BASKET data sheet

GENERAL DATA

Materials		Connections	Application limits
Body	AISI 304 - AISI 316	Thread, ISO Flanged	Filtration range 810 ÷ 110 µm PN10 Tmax + 80°C
Cover	AISI 304 - AISI 316		
Support	AISI 316		
Cartridge	PES - AISI 316		
Gaskets	EPDM		

Materials upon request

Body-Cover	DUPLEX 2205 - SUPER DUPLEX 2507
Cartridge	PES/TITANIUM - PES/DUPLEX 2205
Gaskets	NBR - VITON - PTFE
Connections	ANSI flanges and victaulic
PN	16 bar or HIGHER PRESSURE
Temperature	Temperature higher than 80°C